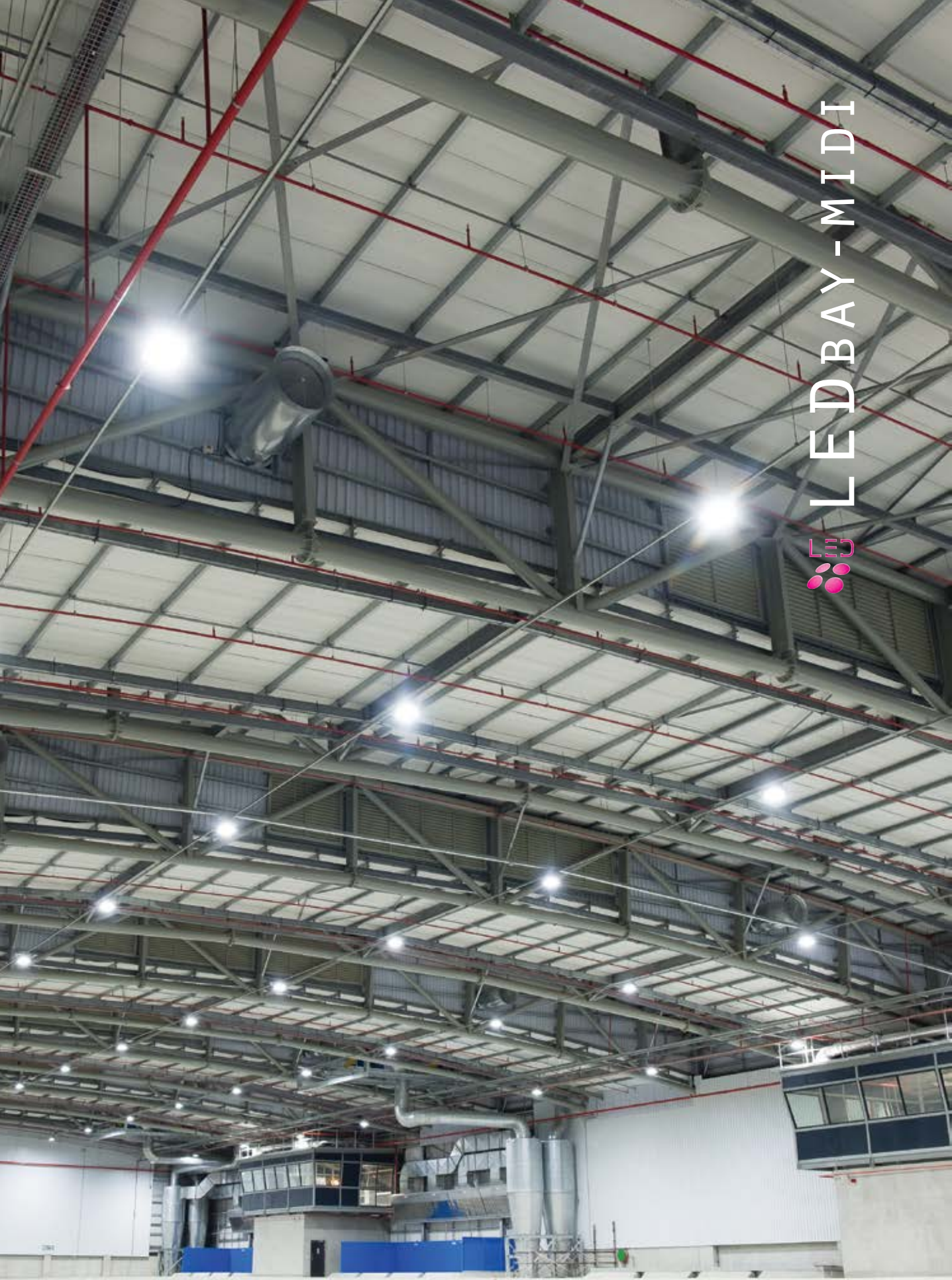


LED BAY - MIDI



LEDBAY - MIDI



CHARACTERISTICS - LUMINAIRE

Optical compartment tightness level:	IP 65 ^(*)
Control compartment tightness level:	IP 65 ^(*)
Impact resistance (glass):	IK 07 ^(**)
Nominal voltage:	198-264V - 50Hz
Electrical class:	I ^(**)
Operating temperature (T _a):	-30°C to +50°C
Weight (total):	8kg
Standard colour:	Pearl Light Grey (RAL 9022), Textured finish
Materials:	Housing: High-pressure die-cast aluminium (EN 1706 AC-47100) Diffuser: Glass

LED light sources

Correlated colour temperature (CCT):	Neutral white (4000K, CRI ≥70)
Wattage:	108W - 216W
Flux:	11948lm - 23896lm

^(*) according to SANS 60598

^(**) according to SANS 62262

APPLICATIONS

- Factories
- Warehouses
- Hangars
- Workshops
- Gymnasias
- Retail areas
- Service stations
- Manufacturing plants

OPTIONS

- Fully dimmable 0%-100% (DALI, 1-10V)
- Polycarbonate diffuser (IK 10)
- 10kV/10kA surge protection
- Steel wire suspension
- Emergency version

KEY ADVANTAGES

- Designed and manufactured in South Africa
- Highly efficient and energy saving (replaces up to 600W HID light sources)
- Very flexible: Available for lowbay or highbay applications
- Optimised heatsink design by means of vertical rib design for up to 216W of heat dissipation
- Designed to operate LED light sources of up to 216W in an ambient temperature (T_a) environment of at least 35°C, without reducing the useful lifetime of up to 100 000 hours, at a lumen depreciation of not more than 30% (L70)
- Long lifetime and low maintenance, no lamp replacement for more than 10 years
- Various optical solutions available
- Flicker-free lighting

CONSTRUCTION DETAILS

The LEDbay-midi consists of a die-cast aluminium gear and optical housing, enclosed by a glass diffuser (IK 07) or optional polycarbonate diffuser (IK 10). The luminaire is suspended by means of a hook arrangement.

The luminaire bears the SANS 60598 safety mark.

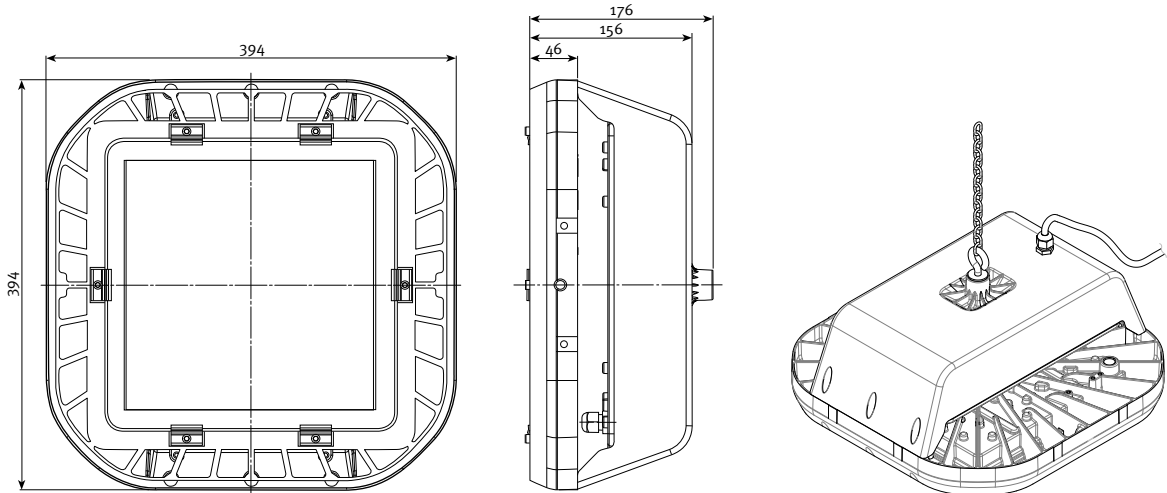
The electronic power supply is suitable for operation with a 198-264V 50Hz single phase system. The power factor is rated at ≥0,95.

Electronic temperature monitoring prevents overheating of LEDs and power supply (ThermiX®).

The LEDbay-midi is designed for LED light sources between 108W and 216W.

Various optical solutions are available to achieve the highest energy savings and the most economical solution for almost any application.

DIMENSIONS IN MM



PHOTOMETRY

OVERVIEW			Lifetime residual flux @ T_q 25°C (**)
Number of LEDs	Neutral white (4000K)	128 LEDs	@60.000h
Current: 700mA	Nominal flux (lm)*	15872	70%
	Power consumption (W)	150	

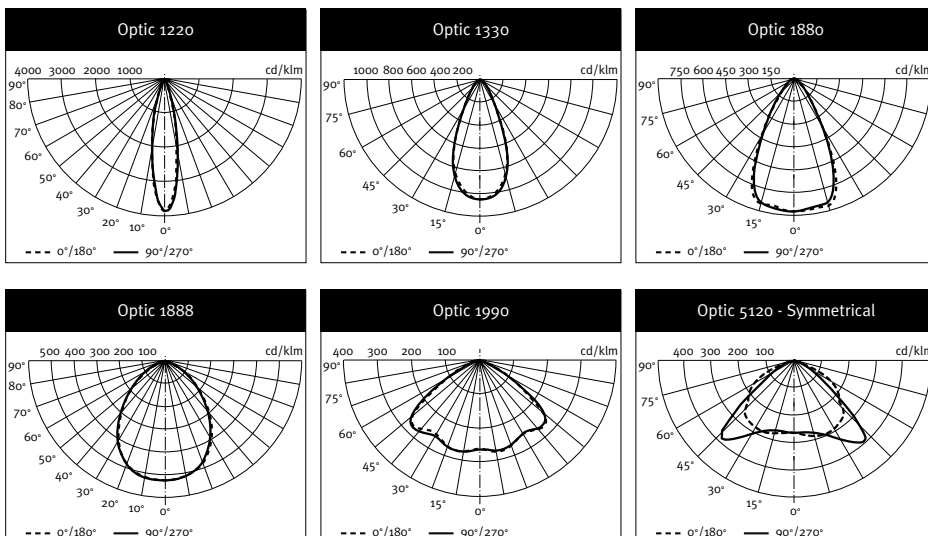
OVERVIEW						Lifetime residual flux @ T_q 35°C (**)
Number of LEDs	Neutral white (4000K)	32 LEDs	40 LEDs	48 LEDs	64 LEDs	@100.000h
Current: 1000mA	Nominal flux (lm)*	11948	14935	17922	23896	70%
	Power consumption (W)	108	135	162	216	

(*) The nominal flux is an indicative LED flux @ T_q 25°C based on LED manufacturer's data. The real flux output of the luminaire depends on environmental conditions (e.g. temperature and pollution) and the optical efficiency of luminaire.

The type of LED used is subject to change due to the ongoing rapid progress taking place in LED technology.

(**) In accordance with LM-80 – TM-21

LIGHT DISTRIBUTIONS



Electronic data files can be downloaded from www.beka-schreder.co.za/knowledge-base

ORDERING DATA

DESCRIPTION	LEDs	CURRENT (mA)	LUMEN	MASS (KG)
BEKA LEDbay-midi 108W	32	1 000	11 948	8
BEKA LEDbay-midi 135W	40	1 000	14 935	8
BEKA LEDbay-midi 162W	48	1 000	17 922	8
BEKA LEDbay-midi 216W	64	1 000	23 896	8
EMERGENCY VERSION – 1 HOUR				
BEKA LEDbay-midi 108W	32	1 000	11 948/628 (EM)	8
BEKA LEDbay-midi 135W	40	1 000	14 935/692 (EM)	8
BEKA LEDbay-midi 162W	48	1 000	17 922/692 (EM)	8
BEKA LEDbay-midi 216W	64	1 000	23 896/692 (EM)	8
LOW MOUNTING HEIGHT OPTION*				
BEKA LEDbay-midi 150W	128	700	15 872	8
BEKA LEDbay-midi 150W - Emergency Version (1 hour)	128	700	15 872/794 (EM)	8

Standard colour: Pearl Light Grey (RAL 9022), Textured finish

Standard CCT: Neutral white (4000K)

*Only with Optic 1888

OPTIONS

ELECTRICAL	
Dimming control	DALI
	1-10V
Surge protection	10kV/10kA
Emergency	For all emergency versions refer to the Emergency Lighting Product List at www.beka-schreder.co.za/products/beka-emergency-product-matrix
MECHANICAL	
Mounting	Steel wire (specify length)
	Floodlight bracket
	Surface mount
Diffuser	Polycarbonate (IK 10)
Colour	White (RAL 9003), Textured finish
	Other RAL colour, Matt finish
	Other RAL colour, Brilliant finish
	Other RAL colour, Textured finish
PHOTOMETRICS	
Optics	1220
	1330
	1880
	1888**
	1990
	5120 - Symmetrical

(**) For 150W version only

Designed and manufactured by BEKA Schröder (Pty) Ltd - South Africa
Manufacturers of Luminaires and Glass Fibre Poles

12/16



BEKA Schröder (Pty) Ltd | 13 West View Road | P.O. Box 120 | Olifantsfontein | 1665 | South Africa
 T: +27 11 238 0000 | F: +27 11 238 0180
 info@beka-schreder.co.za | www.beka-schreder.co.za

